



Bruce M. Forrester Jr
ZEPHYR TECHNOLOGY!
"Technology for The New Age"
 PO Box 55
 Bellbrook, Ohio 45305
 Office:
 3490 Clar Von Drive
 Beaver Creek, Ohio 45430
 (937) 429-3847
bruce@zephyrtechnology.com
www.zephyrtechnology.com

Some Homemade Electricity

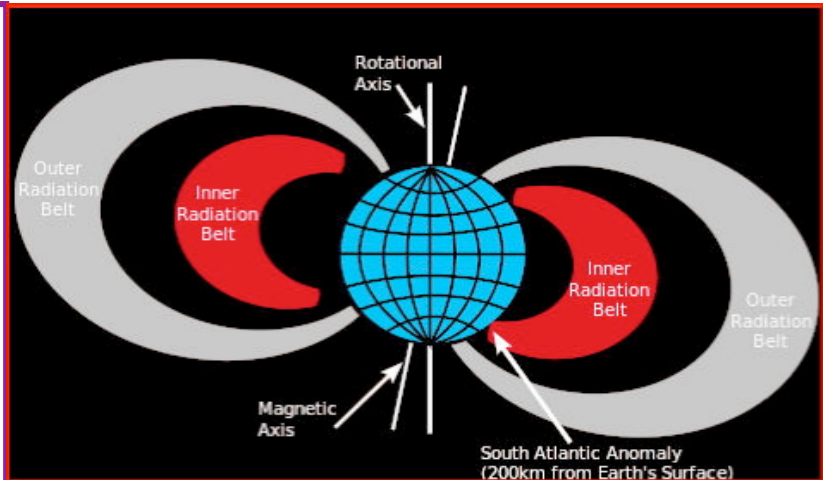
"THE BIG IDEA"

December 21, 2012

Replicate "Free Energy" Discoveries of Scientists: Wilhelm Reich MD; Nikola Tesla; Henry Moray; Nathan Stubblefield, Edward Leedskalnin and others to harness:
 Electro/Magnetic/Ground Field Energy of the Earth itself!

How does it all work? *Answer: Just like the Earth does...*
 Prime Mover? The Sun silly; but not mere Solar or cranky old Wind Turbines.
 Hey! It has been done before; all we have to do is replicate...

- **Wilhelm Reich MD:** "A Motor Force in Orgone Energy. Preliminary Communications", Orgone Energy Bulletin, I(1):7-11, 1949
<http://www.orgonelab.org/wrhistory.htm>
- **Nikola Tesla:** Magnifying Transmitter; U.S. Patent number: 1119732; Dec. 1, 1914
<http://jnaudin.free.fr/html/lmdtem.htm>
- **Henry Moray:** BEYOND THE LIGHT-RAYS Explanations of the Oscillations of Radiant Energy, Salt Lake, Utah; 1926
<http://www.rexresearch.com/beyond/beyond.htm>
- **Nathan Stubblefield:** Earth Battery, U.S. Patent 600457, 1898 and Wireless Telephony, Murray Kentucky, 1902
<http://www.icehouse.net/john1/stubblefield.html>



- **Edward Leedskalnin:** Magnetic Current Homestead, Florida 1945
<http://www.icestuff.com/~energy21/leed1.htm>
- **Edward Leedskalnin:** ADVERTISEMENT Reprinted from Miami Daily News, Miami, Florida. Copyright October. 1945. by Edward Leedskalnin
<http://keelynet.com/unclass/magcur3.txt>

Please: No Investors. This operation: "Bootstrap" (Funding already in place)

How can I help? *Answer:* Get on our mailing list to receive updates and technical specifications so you personally can get busy building and replicating this technology yourself. That way if something happens to Zephyr Technology, you all can carry on...

The "Big Idea" means we build this stuff ourselves; after all: it's been done before.
Now is our turn!

All right, alright already; just what the heck is this stuff:
"Electricity"?

(Let's ask Bill Beaty from the University of Washington:

<http://amasci.com/elect/elefaq1.html#ae>)

ELECTRIC CHARGE	ELECTROMAGNETIC ENERGY
Flows very slowly, and can even stop.	<i>Always flows incredibly fast, almost at the speed of light.</i>
The flow is called "electric current", measured in Amperes.	<i>The flow is called "electric power", measured in Watts</i>
Flows through light bulbs	<i>Consumed by light bulbs (and converted into light)</i>
In AC cables, it wiggles back and forth	<i>In AC cables, it flows continuously forwards</i>
Supplied by metals (and by all other conductors)	<i>Supplied by generators, batteries, etc.</i>
It's a component of matter	<i>A form of energy</i>
Doesn't usually leave a circuit	<i>A "Source" injects it into a circuit, while a "load" removes it again.</i>
Composed of movable charges from conductor atoms	<i>Composed of electromagnetic fields</i>
Electrons and protons are particles of CHARGE	<i>Photons are particles of ELECTROMAGNETIC ENERGY</i>
Flows inside of wires	<i>Flows in the space adjacent to wires</i>
Generators pump it through themselves	<i>Generators create it</i>
Circular flow. It flows around and around the circuit, and never leaves.	<i>One-way flow, from a "source" to a "load".</i>
VISIBLE: it is the silvery part of a metal	<i>INVISIBLE : the EM energy can only be seen if you use iron filings, etc.</i>
Measured in units called Coulombs	<i>Measured in units called Joules</i>
Occurs naturally	<i>Produced, sold by electric companies</i>
Scientists of old called it "electricity"	<i>Today, electric companies call it "electricity".</i>

We know more about what Electricity is than what Magnetism is; though maybe two sides of same coin. Like why do two similar polarity magnets repel one another? Here is what *Richard Feynman* had to say; and he ought to know (but he doesn't):

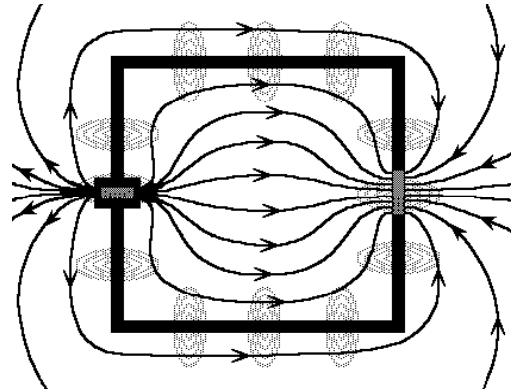
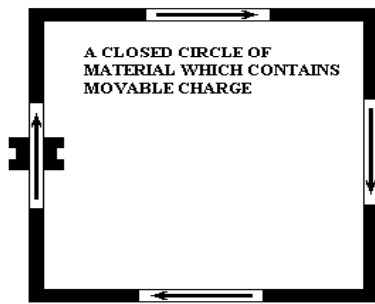
http://www.youtube.com/watch?v=MOOr930Sn_8

Moral of the story: We do not have to know it all to make it work. Like Tony Robbins says: "..Who knows what electricity is, really is? But anyone can flip the switch and get the light". duh...duh... that is our job: to learn how to flip the switch; and get the light.

<http://www.earlytorise.com/flipping-the-switch/>

"Electricity"?

Let's review the excellent insights of William J. Beaty, Research Engineer from the University of Washington, Seattle. <http://amasci.com/elect/elefaq1.html#ae>



THE ENERGY FLOW (POYNTING FIELD)
Electromagnetic energy flows out of the battery and into the empty space around the circuit. It flows parallel to the connecting wires, then it dives into the resistor. The field of energy flow is found by multiplying the e-field by the b-field ($E \times B$ vector cross-product.)

CHARGE

CHARGE flows in a circle.
The flow is measured in Amperes
It flows inside the wires.
It's provided by the metal.
Batteries pump it through themselves.

None is created, none is ever lost.

Electromagnetic Energy

ENERGY flows from the battery to the resistor.

*The flow is measured in Watts
It flows in the space outside the wires.*

It's made of invisible fields.

It's the same as light and radio, but lower in frequency.

Batteries create it. Electric heaters, light bulbs, motors consume it.

Tenured Professors take note:

<http://amasci.com/freenrg/fefaq.html> (Free Energy; Perpetual Motion Schemes)

A true "perpetual motion machine" is impossible, but a machine which taps an unknown energy source is not. **POLITICS:** Some professional scientists are greatly embarrassed by important discoveries made by amateurs. They fervently hope that "free energy" reports are always crack pottery. If some uneducated tinkerer discovers Fire 2.0; it makes the entire scientific community look like idiots... (harelips & cretins).

Prejudice against the "Free Energy" research field is directly analogous to sexism. There really are people who behave as "science bigots", who hate all fringe/maverick researchers, and who constantly attack Free Energy adherents...

If tomorrow a scientist from The Ohio State University were publicly to announce an attempt to duplicate an "over unity device", then expect smug laughter; and if income depended upon peer review; then expect funding called into question...

Another problem: researchers may encounter results which can be interpreted two ways: results which support; or results which hide a flaw. For example, storage batteries contain large amounts of energy in their metal plates. If a F.E. (Free Energy) device contains storage batteries, (such as Lindemann, Bearden and Bedini) it becomes possible to extract large amounts of unexpected energy... by slowly destroying the batteries. Yet experiments with the device produce unexpected energy output. Doesn't this prove that some F.E. theory is correct? Maybe it shows only the hidden energy that all batteries must contain in their metal structure. The solution is simple: avoid batteries. The amount of energy in a "totally discharged" battery is large, (Joule Thief!) and it's unknown. Using batteries in a F.E. prototype is stupid, instead use banks of capacitors. Or, if success with batteries, insure the capacitor-run version works too; and perhaps drop all work on battery version. In the arena of F.E. research; most apparently successful researchers are basing their success on storage batteries. Batteries are a red flag for dishonest inventors lying to themselves (or for scams.) If someone has a device running alone with capacitors (or better, with no storage device at all); that's a great breakthrough. Few researchers can demonstrate such an advancement.

Let's discuss five men who have gone before:

- Wilhelm Reich M.D.
- Nikola Tesla
- Henry Moray
- Nathan Stubblefield
- Edward Leedskalnin

1) Wilhelm Reich, M.D.

Succinctly put, Wilhelm Reich discovered "The Force". Fashionably of late; it's called Zero Point, Scalar, Chi, Prana, Great Spirit, God, or the Power Within... Whatever the name, Wilhelm Reich has the distinction of discovering this living energy in our Western Science.

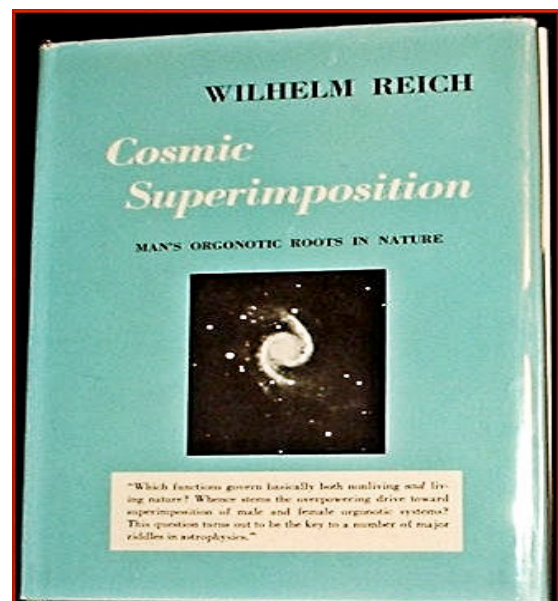
What point to take away from the foundation of Wilhelm Reich discovering "The Force", which he called Orgone Energy (itself an acronym of two words: Organism and Orgasm)? Might make some squirm (anxiety); but that's the story and I'm sticking to it. The thing to remember is "Alive"; thus more Biology than Physics. This means the nature of "The Force" means "It's Alive" and all around us. And oh yes: It's sexual; that's SEXUAL... but definitely not, not homosexual, transsexual, lesbian, pervert or "gay" in any way, pull-ease. Thank you. If you can't hack this, better move on; 'cause it's all in the interest of science, you understand. Hey, it's not me; Wilhelm Reich, although a Communist and Free Love, serial monogamy advocate treated homosexuality as a medical condition reflecting severe "armoring" and manifestation of "secondary drives" (e.g. sadism, masochism, homo-rape-sodomy and perversion of many different kinds, including torture).

So Wilhelm Reich gets himself into a bushel of trouble healing Cancer patients with "Orgone Energy". Never mind him being a physician; curing Cancer, then as now: big No-No.

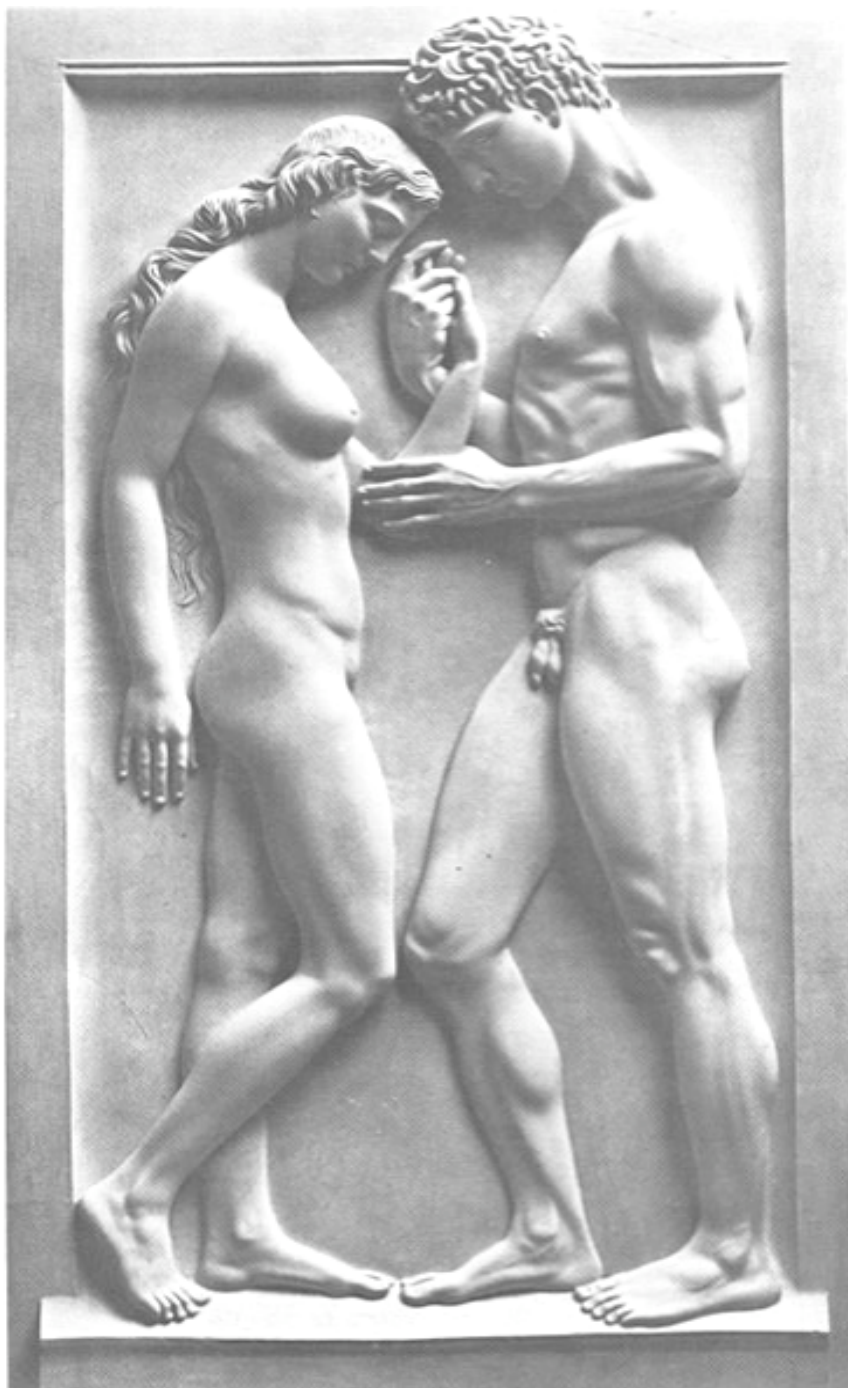
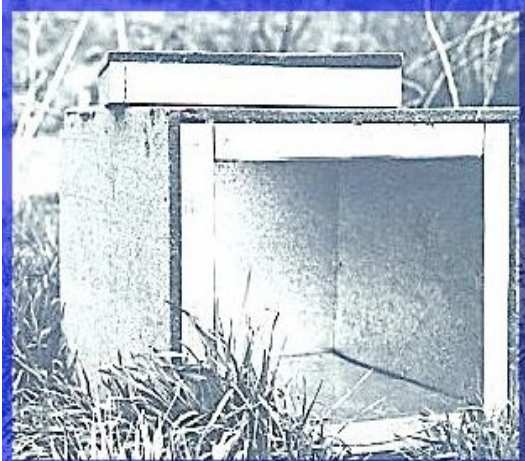
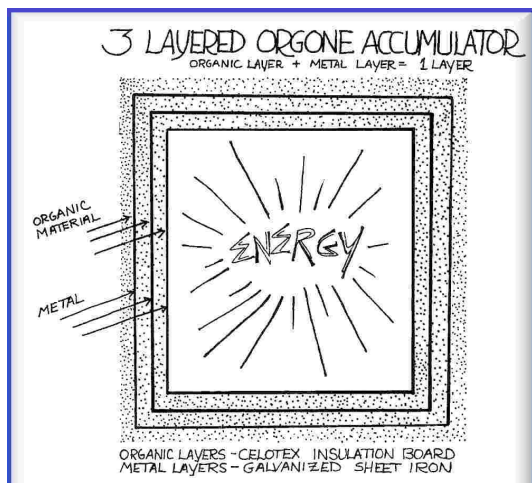
http://www.orgonomy.org/articles/Baker/Wilhelm_Reich.html

But deeper and more profound:
Two discoveries concerning the nature of "The Force":

- Allergic to Nuclear Energy; violently so, "The Oranur Experiment" 1950 <http://www.whale.to/a/cantwell.html>
- Superimposition of two streams of Cosmic Orgone Energy shares a common function principle with the superimposition of Male and Female sexual energy in the genital embrace. As above, so below: get it? Hint to: "Wheelwork of Nature". Schematic here for Flying Saucer motor!



What is Orgone Energy ? In people, the living force may be felt as the tension and attraction between Male and Female!



The author (BMF Jr) has built many hundreds of three layer Orgone Energy Blankets; used for Healing (Whoops! I mean "Experimental Purposes Only")

Of late, an unfortunate trend has crept into the work of replicating Wilhelm Reich. From the stupid infertile mind of Don Croft comes "Orgonite", which consists of highly toxic polyester casting resin imbued with bits of crystals, feathers, metal shavings, beads, magical thinking and "intention"; then pronounced to be an Orgone Charger, Accumulator or Cloudbuster, Chemtrailbuster, Tower buster or Holy Hand grenade

<http://www.orgonelab.org/orgonenonsense.htm>

Operating on the fringes of "Outlaw Science"; alternative methods of healing usually have been a risky proposition; thus, as of now: all healing products from Zephyr Technology are withdrawn in favor of more immediate concerns (Homemade Electricity for homestead use).

2) Nikola Tesla

Once upon not too distant a time, the American Tom Edison was boss of all things electric. Industrialization, railroads, steel, steam power, huge reserves of high quality anthracite coal and burgeoning supplies of Rockefeller produced petroleum characterized the North American economy as "boom times". Into this prosperous scene, at 28 years of age, and fully mature in his ideas with ambition; Nikola Tesla arrived in New York June, 1884. Didn't take long before Tesla was working for Edison; and Edison, being pedantic and full of hubris, failed to realize what genius he had in his employ. <http://www.fi.edu/learn/case-files/tesla/dreams.html>

Next thing you know Nikola Tesla made moot the Edison Direct Current system of American electrification. Tesla's Alternating Current system, with the backing of George Westinghouse, gave a short "haircut" to those who had prematurely invested and capitalized into the now obsolete Direct Current system of electricity. Some bitter feelings ensued, especially by Tom Edison, (and J.P. Morgan) who were made the fool by upstart Tesla.

"In the 1870s Morgan had become interested in a young inventor named Thomas Edison and, aware of the promising new industry in which he was working, agreed to finance his experiments with the electric light bulb. The venture would prove extremely successful and Morgan would eventually go on to form General Electric Co. The shining moment of this partnership came in 1882, when Edison was the first ever to introduce electricity and lighting to offices in New York City, including the Drexel, Morgan building. It was Morgan's understanding of the industry, and all its actors and possibilities that led to one of the most successful examples of venture capitalism in history."

<http://www.evancarmichael.com/Famous-Entrepreneurs/620/Lesson-5-Know-Your-Enemy.html>

Financier John Pierpont Morgan, who financed Edison, took note. Ever more cagy and cunning since the Hall Carbine affair during the American Civil War, Morgan was vigilant not to get taken again. A more modern analogy would be the advent of audio compact discs making obsolete 33 rpm vinyl records. Another more modern analogy would be the demise of the floppy disc drive on personal computers in favor of hard drives, flash drives; and now "the cloud". Big difference between systems of electrification and audio or computer equipment. System of electrification means big capital, big investment. Audio or computer systems are consumer goods paid by personal credit card.

A decade after Tesla first had turned the electrical world upside down, he demonstrated in his Colorado Springs Experiments, the next big thing: Wireless Transmission of Electrical Energy. (May, 1899)

<http://www.mentallandscape.com/tesla2.htm>

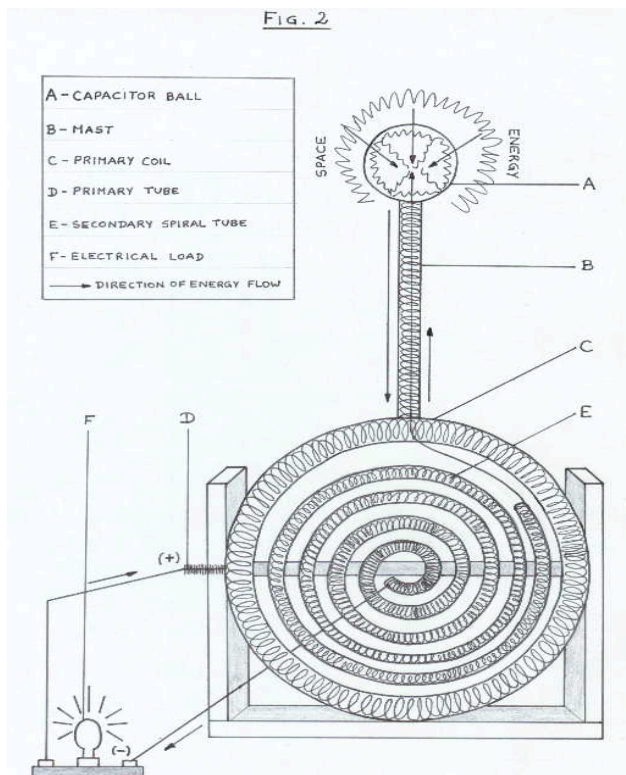
Initially offering financing, but then getting cold feet, J.P. would not go the distance on Tesla's plan for Wireless Electricity; remembering the financial bath he had taken when Direct Current became obsolete within months of Tesla's triumph at the 1893 Chicago World Fair.

http://www.teslasociety.com/columbia_exp02.htm

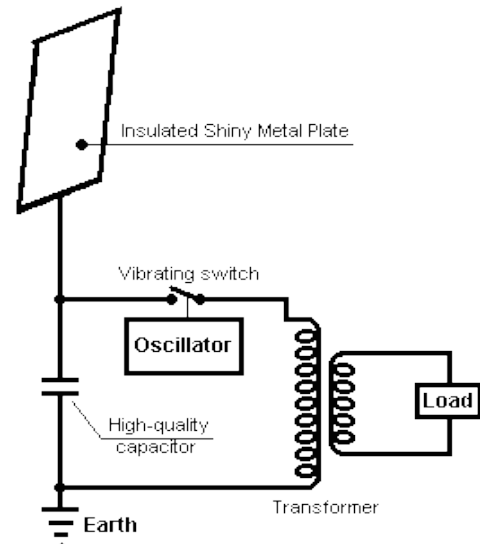
Stuck in a time warp if you will, our system of electricity is just where Nikola Tesla left it about 120 years ago. Made worse though by Nuclear Power and Al Gore with his Carbon Offset schemes to double deal and double dip Federal largesse: <http://www.telegraph.co.uk/earth/energy/6491195/Al-Gore-could-become-worlds-first-carbon-billionaire.html>

Picking up Tesla's story after the "establishment" decided not to embrace the most logical and clearly best route to energy independence.

- As an aside, I must mention my continual amazement at just how much work has already been done on inventing, discovering and building "Free Energy" technology. Here is one that popped up when I Googled over to Rex Research to grab the picture schematics of Tesla's "Radiant Energy Receiver". In passing I stumbled upon Peter Markovich: "Apparatus To Rectify Ether Energy", a more modern derivative of Tesla's work. (October, 1977) <http://www.rexresearch.com/markovic/atree.htm>



Nikola Tesla's System. Nikola Tesla produced an aerial device which is worth mentioning. It was patented on May 21st 1901 as an "Apparatus for the Utilization of Radiant Energy", US Patent number 685,957. <http://www.free-energy-info.co.uk/Chapt7.html>



Free Energy Receiver

THE LOST INVENTIONS OF NIKOLA TESLA

by George Trinkaus: <http://home.earthlink.net/~drestinblack/tesfreee.htm>

"Tesla's free-energy receiver was patented in 1901 as An Apparatus for the Utilization of Radiant Energy. The patent refers to THE SUN, as well as other sources of radiant energy, like cosmic rays." That the device works at night is explained in terms of the night-time availability of cosmic rays. Tesla also refers to the Ground as : "A Vast Reservoir of NEGATIVE ELECTRICITY."

How it works:

From the electric Potential that exists between the elevated plate (PLUS) and the ground (MINUS), energy builds in the capacitor, and, after "a suitable time interval," the accumulated energy will "manifest itself in a powerful discharge" which can do work. The capacitor, says Tesla, should be "of considerable electrostatic capacity," and its dielectric made of "the best quality mica,' for it has to withstand potentials that could rupture a weaker dielectric.

Evidently the Ground connection is pretty important in Tesla systems of this sort; According to Alan Bellows: <http://www.damninteresting.com/teslas-tower-of-power/> "Atop his tower was perched a fifty-five ton dome of conductive metals, and beneath it stretched an iron root system that penetrated more than 300 feet into the Earth's crust. "In this system that I have invented, it is necessary for the machine to get a grip of the earth," he explained, "otherwise it cannot shake the earth. It has to have a grip... so that the whole of this globe can quiver."

Tesla elaborates in his much studied 1901 Patent:

"The Sun, as well as other sources of radiant energy, throws off minute particles of matter positively electrified, which, impinging upon the plate P, communicate continuously an electrical charge to the same. The opposite terminal of the condenser being connected to the ground, which may be considered as a vast reservoir of negative electricity, a feeble current flows continuously into the condenser, and inasmuch as these supposed particles are of an inconceivably small radius or curvature, and consequently charged to a relatively very high potential, this charging of the condenser may continue, as I have actually observed, almost indefinitely, even to the point of rupturing the dielectric. If the device d (Vibrating Switch or Oscillator in diagram above) be of such character that it will operate to close the circuit in which it is included when the potential in the condenser has reached a certain magnitude, the accumulated charge will pass through the circuit, which also includes the receiver R (Load), and operate the latter."

- From what Bill Beaty said about "Electric Charge" vs. "Electromagnetic Energy"; , it sounds like Tesla refers to downloading Electric Charge in his Radiant Energy system.

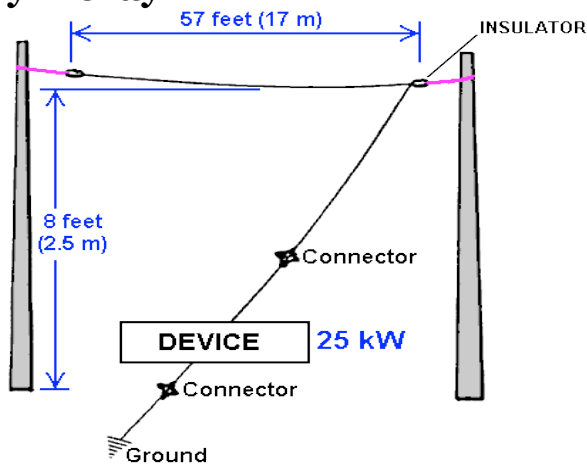
The author (BMF Jr) has built many hundreds of Tesla Coil devices; called Multiple Wave Oscillators for Alternative Healing Work (Whoops! Make that "Experimental Use Only"). The Lakhovsky Multiple Wave Oscillator uses a Tesla Coil to produce many different frequencies at many different wavelengths to stimulate the body to heal itself:

http://zephyrtechnology.com/html/multi-wave_oscillator.html



Operating on the fringes of "Outlaw Science"; Healing usually has been a pretty risky proposition; thus, as of now: all healing products from Zephyr Technology are suspended in favor of more immediate concerns (Homemade Electricity for homestead use). This means new orders for the Multiple Wave Oscillator have been suspended since July, 2011. Expertise in building nice liquid mineral oil filled Tesla Coils will now be applied to "The Big Idea": Some Homemade Electricity!

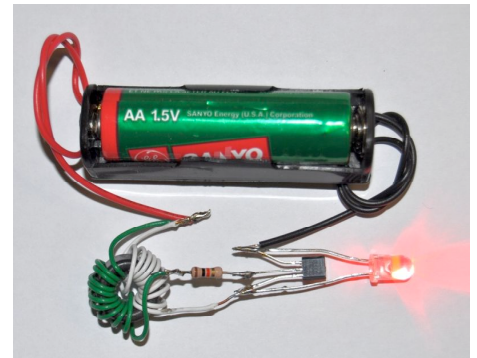
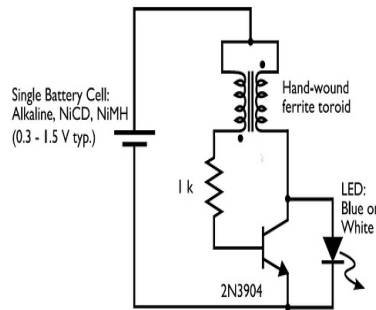
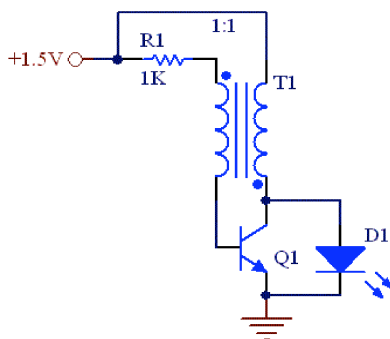
3) Henry Moray



Moray's device: A long antenna and a Ground; nothing too mysterious there. And a "black box", which was excited or started by drawing or stroking a protruding metal nub with a hand held magnet. Et Voila! The thing would light up! Bruce Perrault of www.NuEnergy.org has been leading the league in replicating the work of Henry Moray. Lately the website has been changed to www.earthionenergy.com; perhaps reflecting a realization that the "charge" being downloaded are somehow "Earth Ions"?

- Moray called it: "The Sea of Energy in which the Earth Floats".
- Tesla called it the "Wheelwork of Nature".
- Bruce Perrault now calls it: "Earth Ions"?
- Good Discussion of "Swedish Stone" by Bruce Perrault: <http://www.nuenergy.org/alt/stone.htm>

Key to Moray's circuit were the "Tubes" or "Valves" made from his "Swedish Stone", possibly a radium doped quartz material; functioned as "detector" or "cat's whisker" or solid state device in the manner of Diode/Amplifier/Transistor? Transistor? Hmmn... Compare to "Joule Thief" function of Transistor! OK: Here is the latest rage from the New Age, the "Joule Thief" circuit:



No better explanation of a "Joule Thief" than this following animated You Tube Video: <http://www.youtube.com/watch?v=oGVLnyTdqkg>

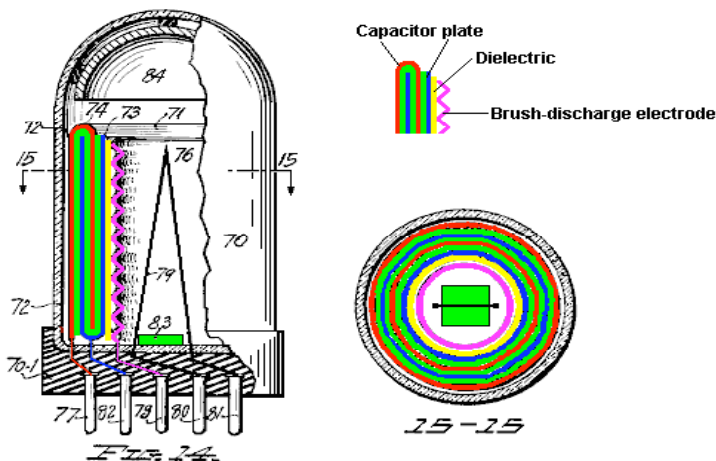
"This circuit minimal and simple; yet deceptively complex to understand. Interpretation of its operation is that current initially flows through one toroid winding into the transistor base. This small current turns on the NPN transistor and allows the second toroid winding to flow a relatively large current straight to ground. A large current through the toroid creates a magnetic field that opposes the current flow in the first winding to the transistor base (since they're wound in opposite directions), shutting off the transistor. After the transistor turns off and current flow stops, the magnetic field collapses producing a voltage spike (similar to the collapse of the magnetic field when an inductive load like a motor turns off). Since the LED is wired in parallel, the voltage spike across the transistor is also applied to the LED which exceeds the diode forward voltage and lights up the LED. This is different from a DC-DC converter where a DC voltage drives an oscillator and the AC voltage is then transformed. There is no transformation in this circuit, we're taking advantage of the toroid's magnetic field to automatically turn the transistor off and generate a voltage spike. Although the <1V power from the battery isn't sufficient to light the LED directly, the voltage spikes are several volts and will turn the LED on for some percentage of time."

Does the "Joule Thief" circuit mimic the "detector" function of Moray's "Valves" in his Radiant Energy Receiver? (A fruitful area for further study) Allegedly the "Valves" were patented as part of an "Electrotherapeutic Device" to mask and hide their true purpose in the Radiant Energy Receiver . (IMPORTANT OBSERVATION: THE MORAY "VALVE" CIRCUIT WAS REPETITIVE, WITH ENERGY FROM FIRST STAGE SENT TO SECOND STAGE, THEN TO THIRD STAGE AND SO ON; UNTIL USABLE POWER LEVEL ATTAINED; THINK "CASCAING".)

In his book "The Energy Machine of T. Henry Moray", Moray B. King provides more information on this system. He states that Moray was refused a patent on the grounds that the examiner couldn't see how the device could output so much power when the valve cathodes were not heated. Moray claimed that this tube had the very high capacitance of 1 Farad when running at its resonant frequency. Moray liked to use powdered quartz as a dielectric in the capacitors which he made, and he had a habit of mixing in radium salts and uranium ores with the quartz. These materials may be important in producing ionization in the tubes and that ionization may be important in tapping the energy field.

A nice description here from Patrick J. Kelly; <http://www.free-energy-info.co.uk/Chapt7.html> From Patrick J. Kelly, the following description would indicate "electromagnetic energy" of some sort as opposed to "charge" or "ions" (as in "Earth Ions" from Bruce Perrault; although Bruce Perrault is the most advanced scientist knowledgeable about the work of Henry Moray).

"Moray's equipment is said to have contained a germanium diode which he built himself in the days before solid-state devices became readily available. The equipment was examined and tested many times. On dozens of occasions, he demonstrated the equipment driving a bank of twenty 150W bulbs, plus a 600W heater, plus a 575W iron (a total of 4.175 kW). The power picked up by this device needed only small diameter wires and had characteristics different from conventional electricity. One demonstration which was repeated many times, was to show that the output power circuit could be broken and a sheet of ordinary glass placed between the severed ends of the wire, without disrupting the supply. This type of power is called "Cold electricity" because thin wires carrying major power loads, do not overheat. This form of energy is said to flow in waves which surround the wires of a circuit and not actually through the wires at all. Unlike conventional electricity, it does not use electrons for transmission and that is why it can continue through a sheet of glass which would stop conventional electricity" (Whatever that is?) On one occasion, Moray took his equipment away from all urban areas to a place chosen at random by a critic. He then set up the equipment and demonstrated the power output, well away from any man-generated electrical induction. He disconnected the aerial and showed that the power output stopped immediately. He connected the aerial again to generate the output as before. He then disconnected the earth connection which stopped the output again. When the earth wire was connected again, the output power returned. He found that the power output level fell somewhat at night."



Moray was granted US Patent 2,460,707 on 1st February 1949 for an Electrotherapeutic Apparatus, in which he included the specification for the three valves used in his power device, apparently because he wanted them to be covered by a patent. As far as can be seen, the valve shown here is an oscillator tube.

<http://www.rexresearch.com/moray/moray.htm>

Worth Repeating:

"This type of power is called "Cold electricity" (Biological? after Wilhelm Reich?!) because thin wires carrying major power loads, do not overheat. This form of energy is said to flow in waves which surround the wires of the circuit and not actually through the wires at all. Unlike conventional electricity, it does not use electrons for transmission and that is why it can continue through a sheet of glass which would stop conventional electricity." Bill Beaty would agree: Electromagnetic Energy flows at nearly the speed of light via "the field"; whilst mere "charge" ambles along, sometimes most slowly. So, maybe the question: What is Electricity, Really? As Tony Robbins says: "Maybe we don't need to know it all in order to flip the switch and get the light." (Get it? Know it all, you engineers you.)

4) Nathan Stubblefield

Key terms to remember about Nathan Stubblefield of Murray Kentucky:

- Ground Radio
- Ground Telephony
- Telluric Current
- Geomancy (Radionic Function)

**Takeaway Point:
It's the Ground, stupid.**

From early Telegraph days, operators and linemen noted sometimes the system would continue to operate even when telegraph batteries had long been dead. Something connected to the "Ground" part of the Telegraph circuit kept system operating mysteriously; this observation forms basis for discoveries of Nathan B. Stubblefield...

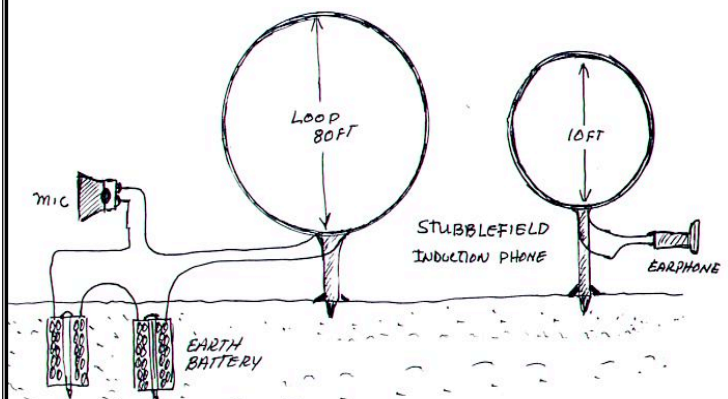
Stubblefield was experimenting with ground radio since 1882, but did not patent his developments until much later. Credible witnesses saw his ground radio experiments in action during this time frame, establishing the historical priority of Stubblefield. While Marconi could barely send telegraphic "dots and dash" signals with great difficulty through a static-filled medium, Nathan Stubblefield had already transmitted the human voice with loud, velvet clarity. Others would adopt and implement the Collins system (Fessenden, DeForest, Bethenod, Braun), but none could duplicate the Stubblefield System.

Nikola Tesla performed double ground experiments with impulses as early as 1892, reporting these in lectures and patenting some embodiments in 1901. Not one of these later systems ever achieved the same results of clarity, tone, and volume of Stubblefield ground telephony. Tesla apparently never discovered the true power points which powered Stubblefield's device. Priority in all these arts belongs to Nathan Stubblefield alone. In addition, his was the only system in which natural energies were obtained, magnified, and entirely employed as the empowering source. All other inventors used "artificial" sources (batteries, alternators, dynamos).

Nikola Tesla showed up for this!



Nathan Stubblefield, far right, and a group of witnesses at Belmont Park, Philadelphia, May 30, 1902. Edwin Houston is just to the right of center, holding a telephone receiver to his ear. A. Frederick Collins is second from left.



Perhaps our best source of information comes from the brilliant Gerry Vassilatos of Borderland Science Research Foundation: <http://customers.hbci.com/~wenonah/history/nathan-s.htm>

To Geomancers and dowsers of old, Telluric Currents may be "...the ground, which may be considered as a vast reservoir of negative electricity." that Tesla wrote in his 1901 patent: "An Apparatus for the Utilization of Radiant Energy".

About the Ground, Gerry Vassilatos adds:

Gerry Vassilatatos writes: "From his linesman mentors, Stubblefield knew that placement of any grounded metal was the key toward deriving power. If properly placed, the energetic output of his cell would be phenomenal. Finding such a power point, he buried the cell. The process took a week or more to build strength. Once the cell was "saturated", however, it became (in his words) "a conduit of earth charge". This mysterious transition from weak battery to energy conduit required time. Typical of his curt statements, Mr. Stubblefield simply stated that the fully saturated coil suddenly "manifested an electromotive force far greater than any known wet-cell". This state being achieved, the cell flowed over in "commercial electrical volumes". He did not claim complete knowledge of the phenomenon. He observed that the activity "reached into weeks and months of continuous work night and day". Stubblefield envisioned the energy cell as a "plug", drawing out the electrical charge of the ground. The cell coils acted as a lumped conductor. Charge saturated this conductor and flowed up into it, powering any electrically connected appliance. After repeated exhumations, the copper element of these cells was found "not acted on in any perceptible degree ... even after repeated renewals".

5) Edward Leedskalnin and "*Magnetic Current*"

If folks don't know, really know, what Electricity is; just imagine what folks don't really know about what Magnetism is... For example take good old Mother Earth (that's Gaia for you Al Gore types). And since, Gee Whiz, it's Christmas; imagine our friend Santa Claus, living up there with Mrs Claus and all the Elves at the North Pole. With Dasher, Dancer, Donder and Blitzen: Rudolph and the gang all live at the North Pole; that's the North Pole, not the South Pole, (South Pole: That's where the Penguins live). Better remember this; there will be a test soon.

- OK, Here is the "test" Where does Santa Claus Live?

Answer: Take out your good old Boy Scout compass and observe closely which way the N arrow points. The N arrows points to the Magnetic North Pole (Where Santa Claus lives). Like Joe Namath once said: "I guarantee it".

But, but let's quote Wikipedia about the North Pole; From Wikipedia:

http://en.wikipedia.org/wiki/North_Magnetic_Pole

"All magnets have two poles that are distinguished by the direction of the magnetic flux. These poles could have any names, for example, "+" and "-"; but the convention in early compasses was to call the end of the needle pointing to the Earth's North Magnetic Pole the "North Pole" (or "North-Seeking Pole") and the other end the "South Pole" (the names are often abbreviated to "N" and "S"). Because opposite poles attract, this definition implies that the Earth's North Magnetic Pole is a magnetic South Pole and the Earth's South Magnetic Pole is a magnetic North Pole."

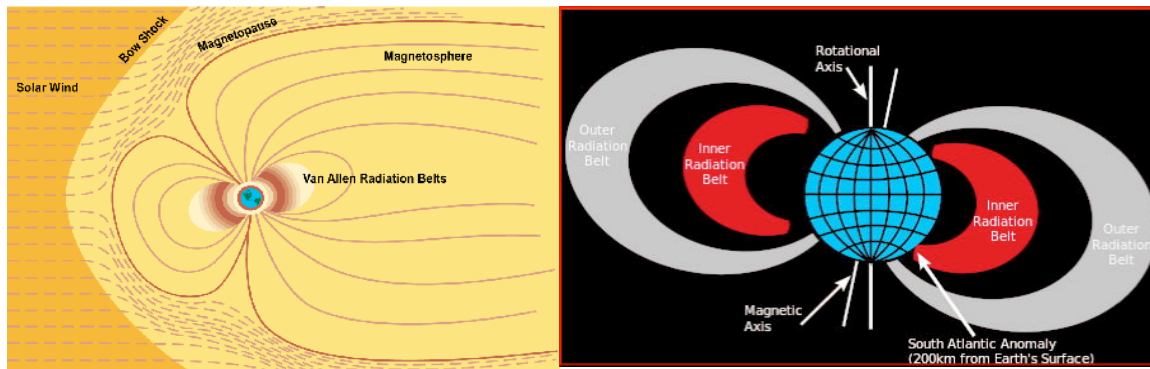
"The North Pole of a magnet is the pole that, when the magnet is freely suspended, points towards the Earth's North Magnetic Pole which is located in northern Canada. Since opposite poles (North and South) attract, the Earth's "North Magnetic Pole" is thus actually the South Pole of the Earth's magnetic field. (*Totally Wrong; like Bass Ackwards here*) As a practical matter, in order to tell which pole of a magnet is North and which is South, it is not necessary to use the Earth's magnetic field at all. (*Oh Yes it is!*) For example, one method would be to compare it to an electromagnet, whose poles can be identified by the Right-Hand Rule. (*Right Hand Rule: Screwed up too; but beyond scope of this article*) The magnetic field lines of a magnet are considered by convention (?) to emerge from the magnet's North Pole and reenter at South Pole"

- From Wikipedia: <http://en.wikipedia.org/wiki/Magnet> the following explanation is given: "Like the North Magnetic Pole, the North Geomagnetic Pole attracts the North Pole of a bar magnet and so is in a physical sense actually a South Magnetic Pole." (Duh... North is not South!)
- Mercifully, we have a 50% chance of getting it right; since it's all Binary, eh? But we got it mostly wrong.

5) Edward Leedskalnin and "Magnetic Current"--Continued: Some Homemade Electricity "THE BIG IDEA"

Replicate "Free Energy" Discoveries of Scientists: Wilhelm Reich MD; Nikola Tesla; Henry Moray; Nathan Stubblefield, Edward Leedskalnin and others to harness:
Electro/Magnetic/Ground Field Energy of the Earth itself !

How does it all work? **Answer: Just like the Earth does...**



So, how does our Earth work? From:
<http://www.orgonelab.org/MillerReich.htm>

**Not Orbit; but Earth Spiral
Movement around Sun...**

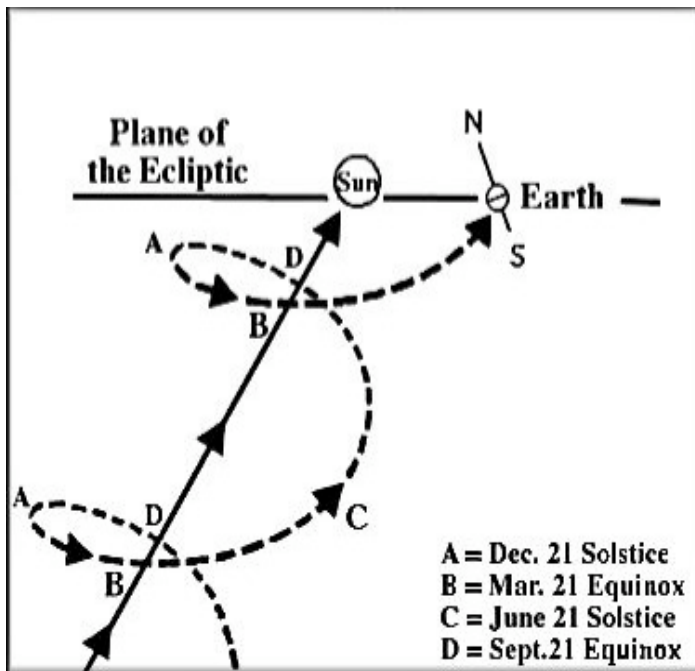
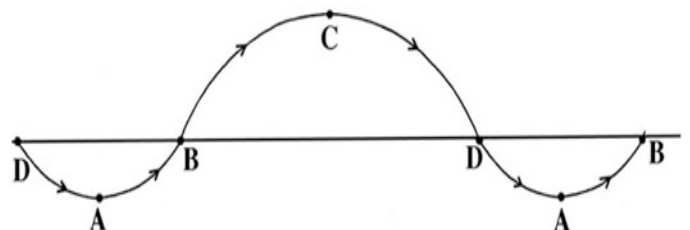
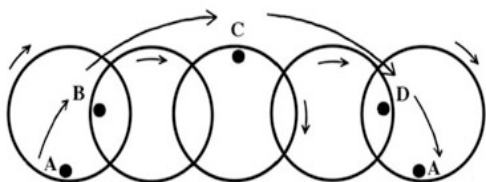


Figure 5: Earth Spiral Movement
Around the Sun transverse a greater distance during the period March through September (B-C and C-D) than during the period September through March (D-A and A-B). The line segments can be easily matched with Reich's diagrams, as previously given, regarding the spinning wave.

This means the Earth not really orbiting the Sun: rather the motion more of an open corkscrew spiral; a "loop de loop de loop", a "Spinning Wave" or "Kreiselwelle" (German: "Gyroscopic Wave").

If transverse a greater distance through similar time period; then means moving faster March through September? Yes it does. Reference Wilhelm Reich: Swing of Pendulum (Mimics observed motion of Flying Saucers)



How does it all work?

Answer: *Just like the Earth does...*

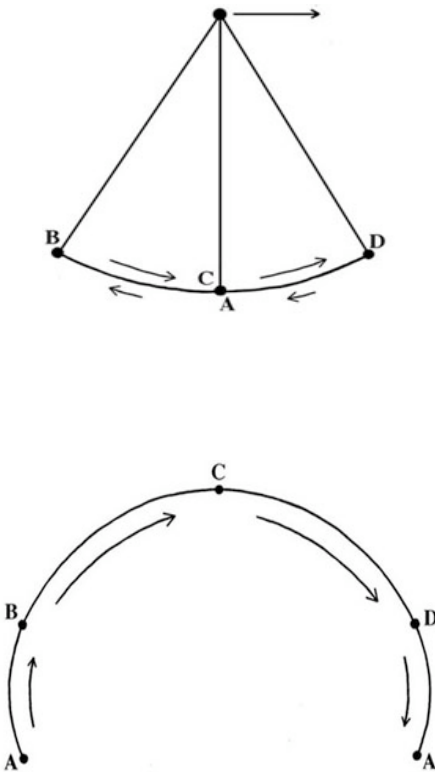


Figure 2. The *Kreiselwelle* or Spinning Wave (Top), as described by a point on a rotating wheel. The points A-B, B-C, C-D and D-A describe equal periods of time along the curve, indicating an acceleration at A-B, B-C, and deceleration at C-D, D-A, with segments B-C and C-D having roughly twice the velocity and distance covered per unit of time, as segments A-B or D-A. The Center-Left figure below presents this idea with the wheel actually drawn in, shown sequentially as it moves from left to right. One might consider the black dot as a planet orbiting a larger body at the center of the wheel, suggesting planets and moons inscribe large swings in space, spiral forms with periods of acceleration and deceleration, and with varying net velocities. If one considers each of the separate circles or "wheels" below to be successively moving out of the page, towards the reader (like a stack of large coins) the context more clearly mimics planetary motions, where central Suns move through space. The Center-Right figure below represents a forward-moving pendulum, where the swings in the forward direction cover a greater distance, with greater velocity, than the backwards swings. The Bottom figure is yet another manner of viewing the orbiting motions of a moon around a planet, or a planet around its central star, with vectors matching our "point on a wheel" or "forward moving pendulum". These figures will gain a larger significance when viewed against the Figures to follow. In all three figures here, the vectors A-B and D-A are shorter than the vectors B-C and C-D. Drawings made after Reich's original figures or concepts, from *Contact With Space*.

*Reich, W.: *Contact With Space*, Oranur Second Report 1951-1956, Core Pilot Press, NY, 1957, p.95-110.

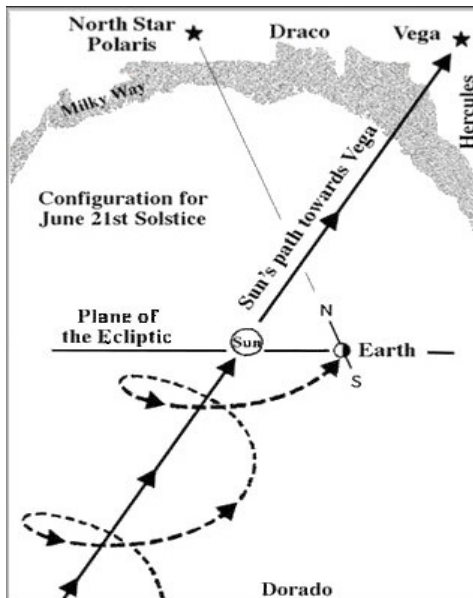
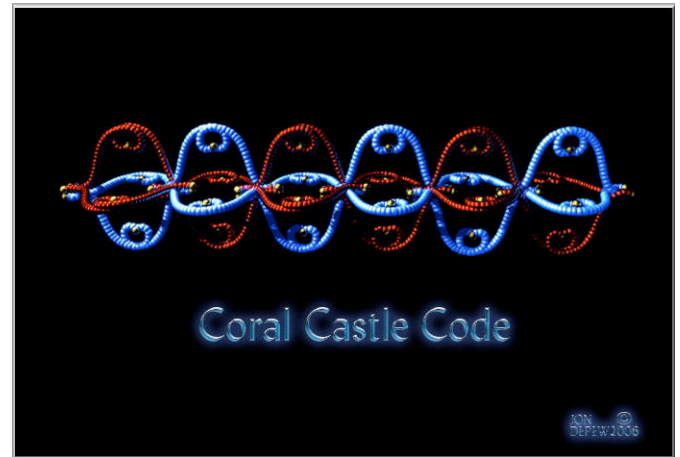
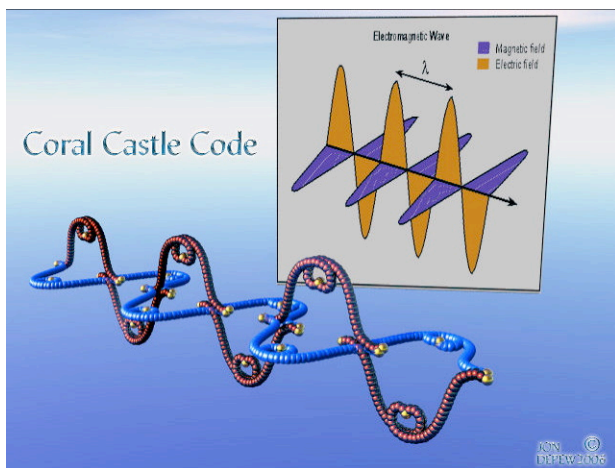


Figure 4. *Ecliptical Spiral*: The Earth spins on its axis (shown here in summer solstice position), and moves around the Sun in a spiral. The Sun, according to classical astronomical determinations, is moving towards the star Vega. The constellation Draco marks the approximate location of the northern pole of the Plane of the Ecliptic, and the North Pole of Miller's computed Axis of Ether-Drift. The cosmic prime-mover (call it ether or orgone for the moment) flows in a spinning wave (*Kreiselwelle*) generally towards Draco-Vega, carrying the planets and the Sun along with it, pushing them into spiral motion.

So, how does it work? Answer: Just like the Earth does. Hard to go wrong with Nature as our guide. So, what is a Photon? What is an Electron? What is a Proton? What is Charge? What is "Cancelled Charge"?

From John Depew of Coral Castle Code come the best graphics describing Leedskalnin's descriptions of "Magnetic Current". Eerily similar and familiar to Wilhelm Reich's "Spinning Wave" (Kreiselwelle or Gyroscopic Wave) This is the true motion of the Earth (not "Orbit" but "Spinning Wave"). ("As above, so below, as within, so without, as the universe, so the soul" Hermes Trismegistus)
<http://treeofknowledgecoven.com/2012/07/01/as-above-so-below-as-within-so-without-as-the-universe-so-the-soul/>



<http://www.coralcastlecode.com/id1.html>

Reference to Edward Leedskalnin (from Magnetic Current):

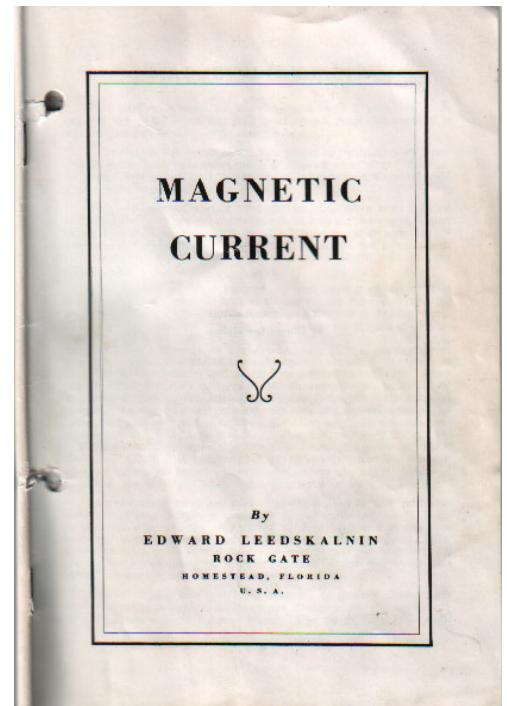
"Now you can see that one-half of the electricity escaped their notice. If the researchers had used the same kind of equipment I use to demonstrate what magnetic current is, they would have found out a long time ago what electricity is. The Positive Electricity is composed of streams of North Pole individual magnets, and Negative Electricity is composed of streams of South Pole individual magnets. They are running one stream of magnets against the other stream in whirling right hand twist, and with high speed." Hmmn... Just like the Earth does?

And while we're at it: Remember Viktor Schauberger? Sure we do: Living Water and Nazi UFOs and all that... Well Viktor Schauberger often said from his origins as an Austrian forester and natural scientist: "Kapieren und Kopieren!" "Comprehend and copy Nature!" Really that is all there is to it. Easier said than done though.

<http://www.youtube.com/watch?v=FgoyiwZLICy>

In our labors to harness "Free Energy" and "Home-made Electricity" and "Over Unity" I have noticed a most fundamental non understanding of Magnetism: and here it is:

- **On Earth:** The North Pole is where Santa Claus Lives. Make no mistake; the North Pole is "Comprehending Nature". If you don't believe me; watch "Miracle on 34th Street" again. North is where Santa Claus lives.
- **Viktor Schauberger:** "Comprehend and Copy Nature". Our mission, should we choose to accept it... North is Where Santa Claus lives. Our Boy Scout compass has a North Seeking Pole (magnetic South Pole) labeled as "North". Thus most of our knowledge is 180° out of phase.
- **So, what is a "Photon"? What is "Charge"? What is an "EMF Field"?**
- **Why do North-North and South-South Magnetic Poles repel? Why?**



Recently, BMF Jr built a nice pair of full size Perpetual Motion Holders. Whew! These bad boys weigh in at about sixty pounds apiece.

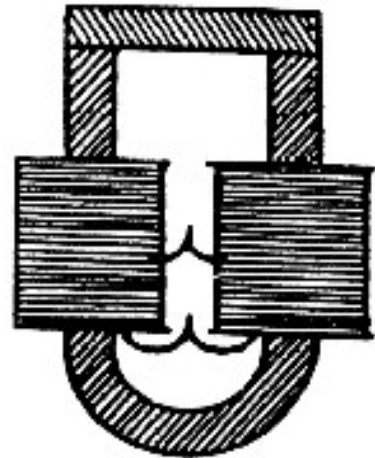
Sparing neither effort nor expense, the Perpetual Motion Holders worked good first time and every time! (Magnetism so strong a Man cannot break it without a short sledge hammer; all that from just a momentary touch of 12 volt car battery; disconnect battery; yet magnetism stays "Perpetually")

When it comes to Edward Leedskalnin: Many talk; few build. Matt Emory of www.leedskalnin.com is one of the few builders. Ed Leedskalnin built "Coral Castle" down in Florida, South of Miami in the 1920s. Since he built the "hardware"; he's entitled to make up the "hot air" to go with. (unlike most pencil neck academics who bloviate while hiding behind their Ph.D.)

He told us just how he did it in several slender volumes, the most important being "Magnetic Current". But be forewarned; reading this little 19 page booklet is hard work (Reading the whole Bible would be equivalent!) Why? On every page are simple, yet detailed experiments and demonstrations one is expected to perform... BMF Jr is underway in this undertaking.

- Why? Because "pay some dues" and "walk the talk" if you want Free Energy.

Mineral, Vegetable and Animal Life



Perpetual Motion Holder

By
EDWARD LEEDSKALNIN
ROCK GATE
HOMESTEAD, FLORIDA
U. S. A.

Copyright October, 1945, by Edward Leedskalnin



Bruce M. Forrester Jr
ZEPHYR TECHNOLOGY!
"Technology for The New Age"

PO Box 55
Bellbrook, Ohio 45305

Office:
3490 Clar Von Drive
Beavercreek, Ohio 45430
(937) 429-3847

bruce@zephyrtechnology.com
www.zephyrtechnology.com

**DOWNLOAD THIS TREATISE AS pdf FILE TO HAVE LINKS
"LIVE" SO AS TO STUDY AND LEARN FROM SOURCE MATERIAL:**

http://zephyrtechnology.com/BIG_IDEA_A_2012_.pdf

FILE SIZE 8.6 meg